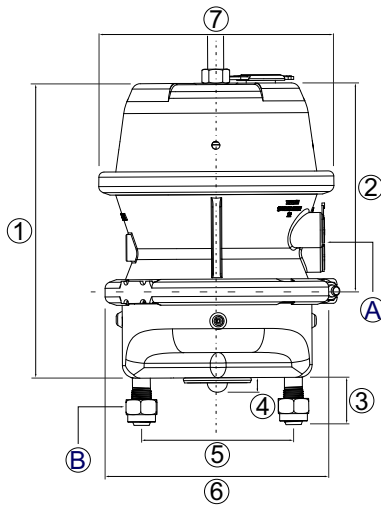
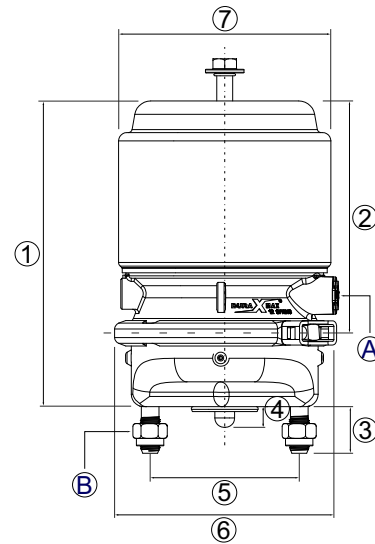


TECHNICAL DATA



Double Diaphragm 2024D



Piston Type Brake Chamber 2024DI

- Product Performance Meet SAE J2318 Standard
 - Comply With FMVSS121

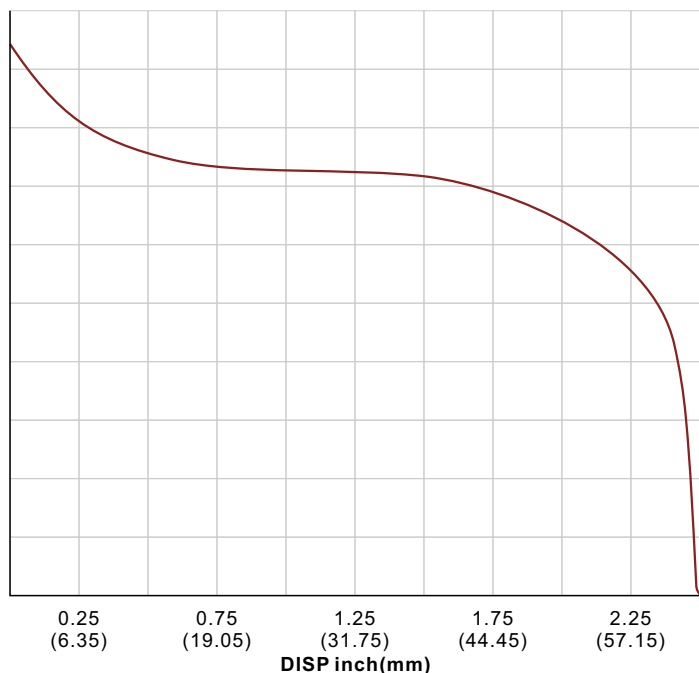
ITEM	DMDB2024D	DMPB2024DI
Type	Double Diaphragm	Piston Diaphragm(IBV)
Size / Stroke	2024 / 2.5"	2024 / 2.5"
Wt. lb (kg)	14.8 lbs (6.7kg)	18.7lbs(8.5kg)
1	9.06" (230mm)	9.92"(252mm)
2	6.42" (163mm)	7.24"(184.1mm)
3	1.55" (39.5 ± 3mm)	1.5 ± 0.08"(38 ± 2mm)
4	0.59"(15mm)	0.59"(15mm)
5	4.75 ± 0. 04" (120.65 ± 1.5mm)	4.75 ± 0.04"(120.65 ± 1.5mm)
6	6.9" / 175mm	6.9" / 175mm
7	Ø186	Ø171
A (Port/Boss)	3/8-18NPTF	3/8-18NPTF
B (MTG Bolt)	M16 x 1.5	M16x1.5
Hold-Of f	76psi / 5.26 bar	71psi / 4.9 bar
Release	86psi / 5.96 bar	78psi / 5.4 bar
Parking Force Out-Put [@31.75mm(1.25 in.)]	1,210 ~ 1,518 Lbf(550~690 kgf)	1,682~1,922 Lbf(763~871 kgf)

FORCE OUT-PUT REPORT

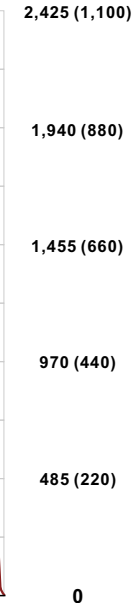
- DMDB2024D & DMPB2024DI -



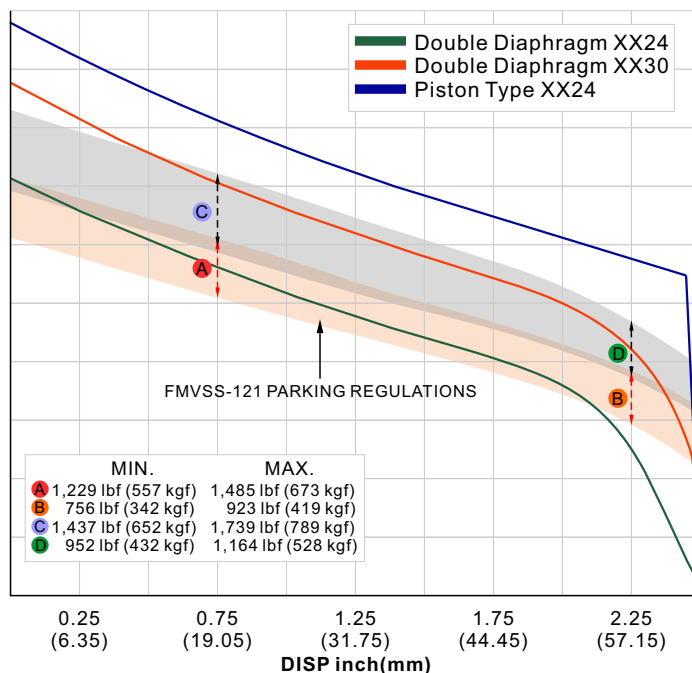
Type 20 Service Brake Force Output



LOAD lbf(kgf)



FMVSS-121 Parking Regulations



DIVISION	Max. Force	0.25 inch Force	0.75 inch Force	1.25 inch Force	1.75 inch Force	2.25 inch Force
		6.35 mm	19.05 mm	31.75mm	44.45 mm	57.15 mm
	lbf (kgf)	lbf (kgf)	lbf (kgf)	lbf (kgf)	lbf (kgf)	lbf (kgf)
20 Type Service Brake Force Output	2,289.7 (1,038.6)	1,981.9 (899.4)	1,843 (836)	1,798.9 (816)	1,754.8 (796)	1,552 (704)
Double Diaphragm XX24 Parking	1,738.1 (788.4)	1,594.6 (723.3)	1,348.5 (611.7)	1,140.8 (517.5)	963.6 (437.1)	463.6 (210.3)
Double Diaphragm XX30 Parking	2,128.3 (965.4)	1,968.2 (892.8)	1,708.3 (774.9)	1,496 (678.6)	1,308.8 (593.7)	988.1 (448.2)
Piston Type XX24 Parking	2,383.6 (1,081.2)	2,178.6 (988.2)	1,970.2 (893.7)	1,768.5 (802.2)	1,593.9 (723)	1,423.3 (645.6)